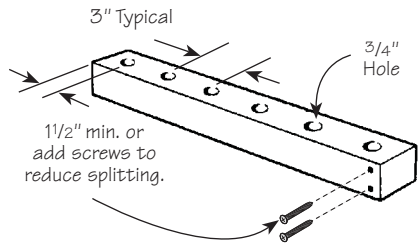


Veritas® Panel Clamps lock edge-glued boards into position, preventing bowing of the panel as pressure is applied by the screws. The posts have serrations to prevent them from backing out of the wooden bars, keeping the panel flat. You can make bars of any length.

Bar Construction

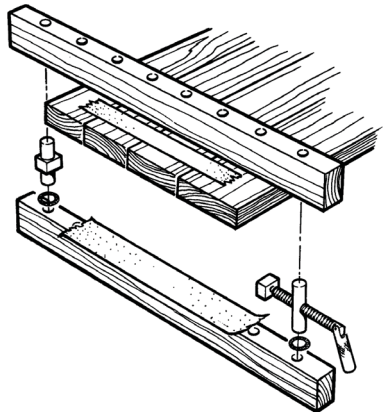
Depending on the thickness and width of the work you most often edge glue, wooden bars may be made from 2x2 or 2x4 hardwood or softwood lumber, long enough to accommodate your work and the clamp heads (add 6"). Lay out and drill 3/4" holes on one bar, spaced no more than 3" apart. To eliminate any possibility of splitting the ends of the bars, do not drill holes closer than 1 1/2" from the ends unless transverse screws are added. So that all bars will be interchangeable, use this first bar to transfer and line drill all remaining bars.



Bar Construction

Using Panel Clamps

Place bars on a flat surface. With the clamp heads at the front end of the bars, set the tail blocks into the bars to accommodate the width of panel you will be gluing. Roll the O-rings up or down so that the jaws clamp at the approximate midpoint of the panel thickness. Apply glue to the component edges, lay them on the bars and drop the mating drilled bar on top. Pressing down firmly on the top bar, tighten the clamps. The upper bar will lock into position as soon as clamping pressure is applied.

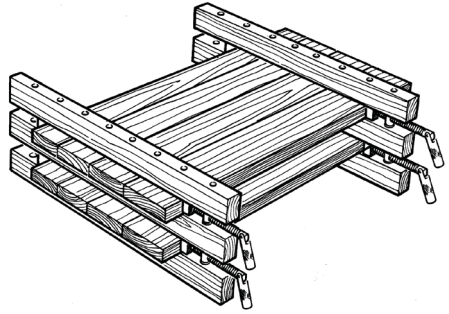


Using Panel Clamps

Note: As with any bar clamps, strips of plastic or wax paper should separate the bars from the panel to prevent accidental bonding or glue build-up on the bars.

Multi-Panel Clamping

An added feature of the Veritas Panel Clamp is its ability to clamp multiples of like panels in a neat, compact stack. To do so, make the rails from 2x4s and drill the 3/4" holes through the 4" dimension. This allows the upper rail of one panel clamp to become the lower rail of the successive panel clamp.



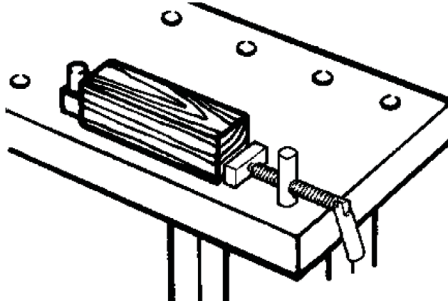
Multi-Panel Clamping

Additional Uses

As Bench Dogs

Veritas Panel Clamp components can also be used as round bench dogs and adjustable bench dogs.

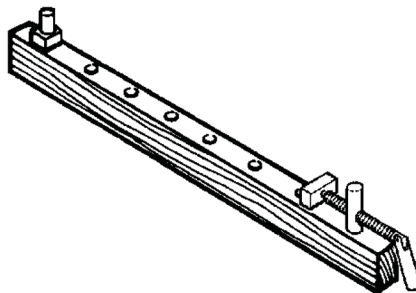
The panel clamp rear jaw can be used as a fixed bench dog, and the front jaw as an adjustable bench dog, when placed in 3/4" dog holes in your bench.



Used as Bench Dogs

As Bar Clamps

You can make bar clamps of any length for specialized purposes. Just drill 3/4" holes in a 2x4 or use one of your wooden bars.



Used as Bar Clamps